



# BAUER

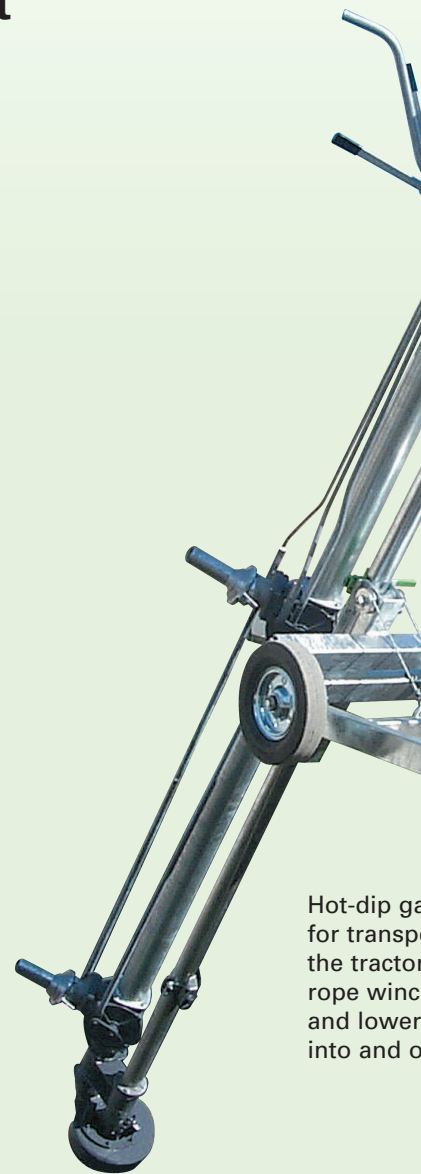
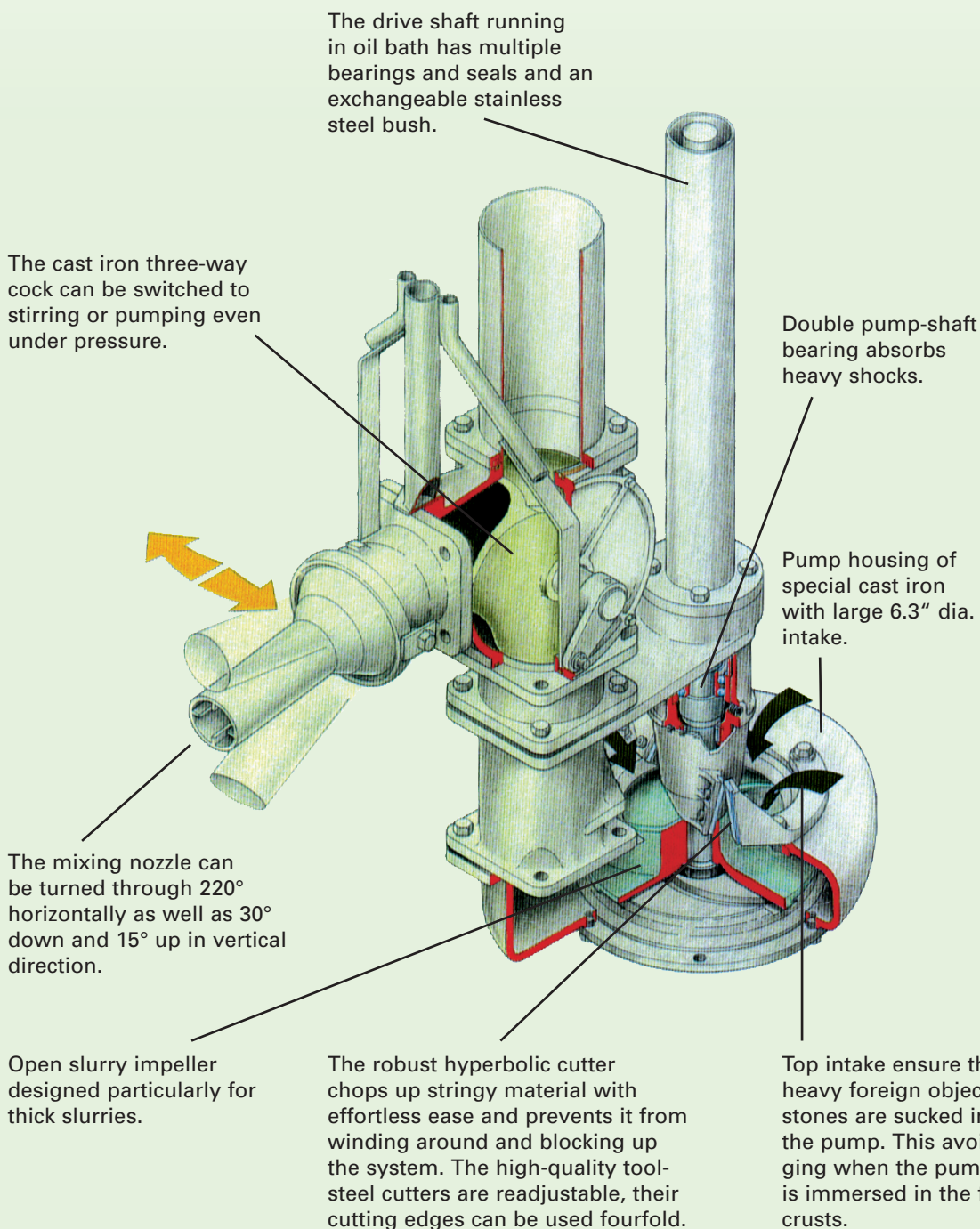
*FOR A GREEN WORLD*

## **MAGNUM LP/LE/S**

**Submersible pumps and long-shaft pumps**

# MAGNUM

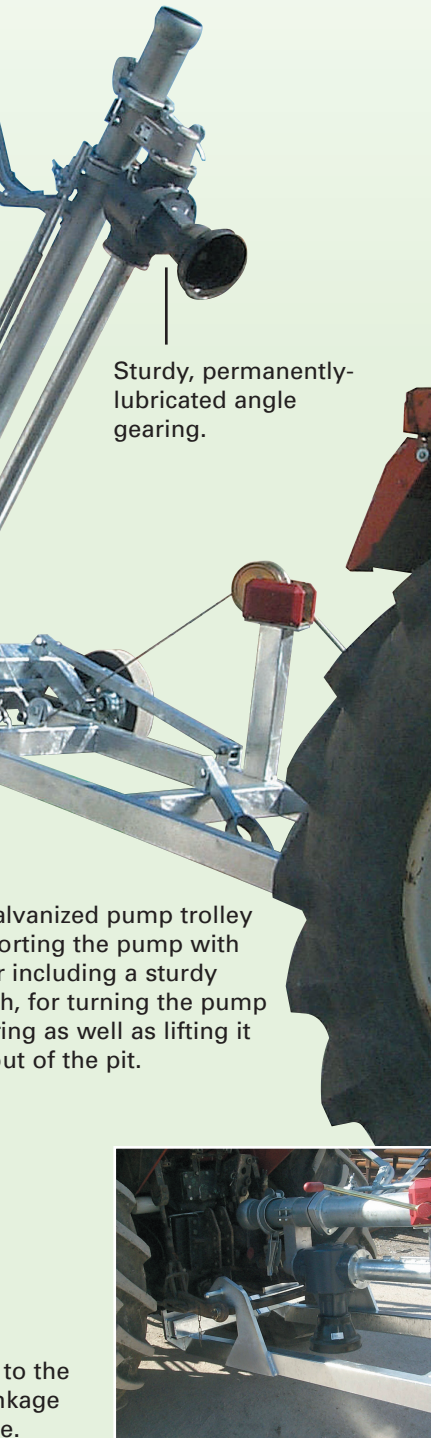
**Horizontal and vertical stirring nozzle adjustment ensures perfectly homogenised slurry.**



Hot-dip galvanized pipe for transport. The tractor's 3-point linkage is used to raise and lower the pump into and out of the tank.

## Easy to handle

Trolley hooked up to tractor's 3-point linkage with effortless ease.



Sturdy, permanently-lubricated angle gearing.

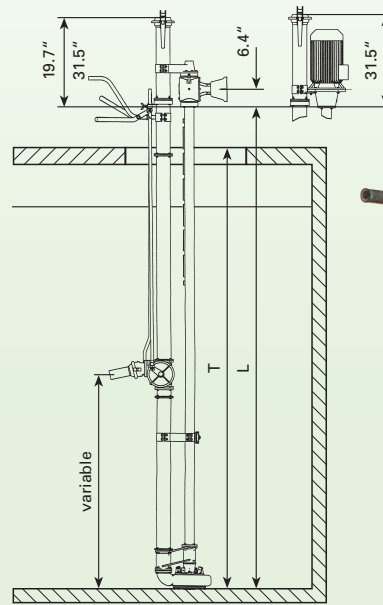
Galvanized pump trolley supporting the pump with a sturdy handle, for turning the pump as well as lifting it out of the pit.

to the package e.

## MAGNUM LP MAGNUM LE

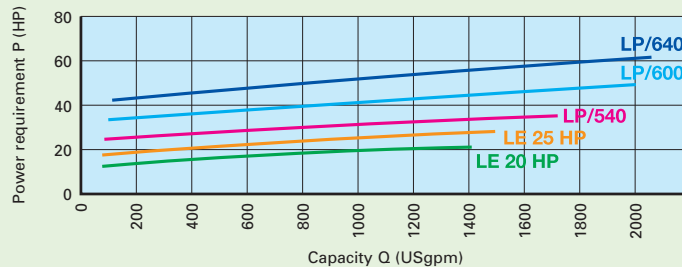
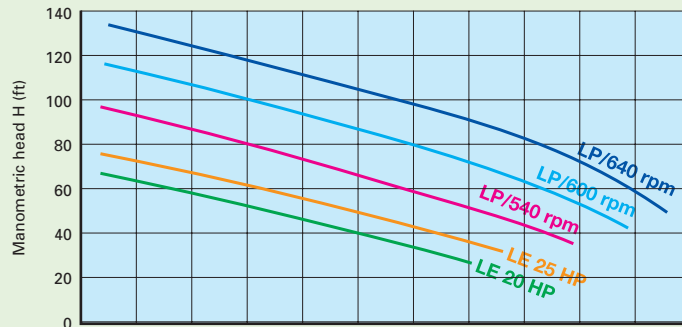
Construction length 6.5' – 13' with graduations of 20".  
Minimum pit opening 24" x 40".

All LE and LP pumps are available without, with one or with two stirring nozzles.

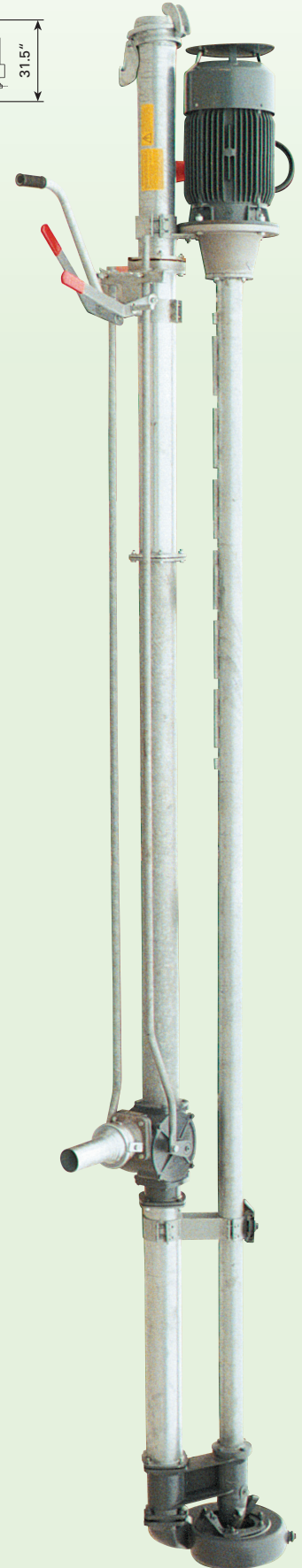


Model	2.0	2.5	3.0	3.5	4.0
Pit depth T, incl. pit cover ft	7.3'	9.2'	10.8'	12.5'	14.1'
Length L ft	8.9'	10.6'	12.2'	13.9'	15.5'

\*) Connector HK 133 (5 1/4"), optional length mm



\*) All values apply to water



MAGNUM	LP 55	LE 15	LE 18.5
Driving power Tractor HP	55	–	–
Driving power Electric HP	–	20	25
Driving speed rpm	540	1750	1750
Capacity USgpm	170 – 1600	170 – 1200	170 – 1300
Head ft	95 – 30	62 – 20	68 – 25



FOR A GREEN WORLD



## Typical applications

- Pumping\*
- Tanker filling
- Rinsing and cleaning
- Transfer between pits

\*) Due to the higher driving power available, MAGNUM LP 55 is suited particularly for heavy-duty stirring performance and pumping of thick sludge with a higher solids content.

### Hydraulic lifting frame

The hydraulic lifting frame with two hydraulic cylinders and control valves enables a more comfortable handling of the pump. It makes it much easier to tilt, lower and lift the pump into the pit.



MAGNUM LP 55 in operation



Permanently installed LE model used for transfer



### Stirring nozzle with large swivel range

Offers enormous stirring performance. Breaks up even extremely thick and viscous floating crusts in no time. The pump chops up all solids and stringy materials and mixes them to a homogenous pulp.



# BAUER

FOR A GREEN WORLD

## Original BAUER pump control with built-in thermistor tripping unit and overcurrent relay offers maximum motor protection.

### Strong rubber cable

12 x 2.5 cable screwing with strain relief device.

### Oil reservoir

Protects the mechanical seal

### Flanged disk and counter disk

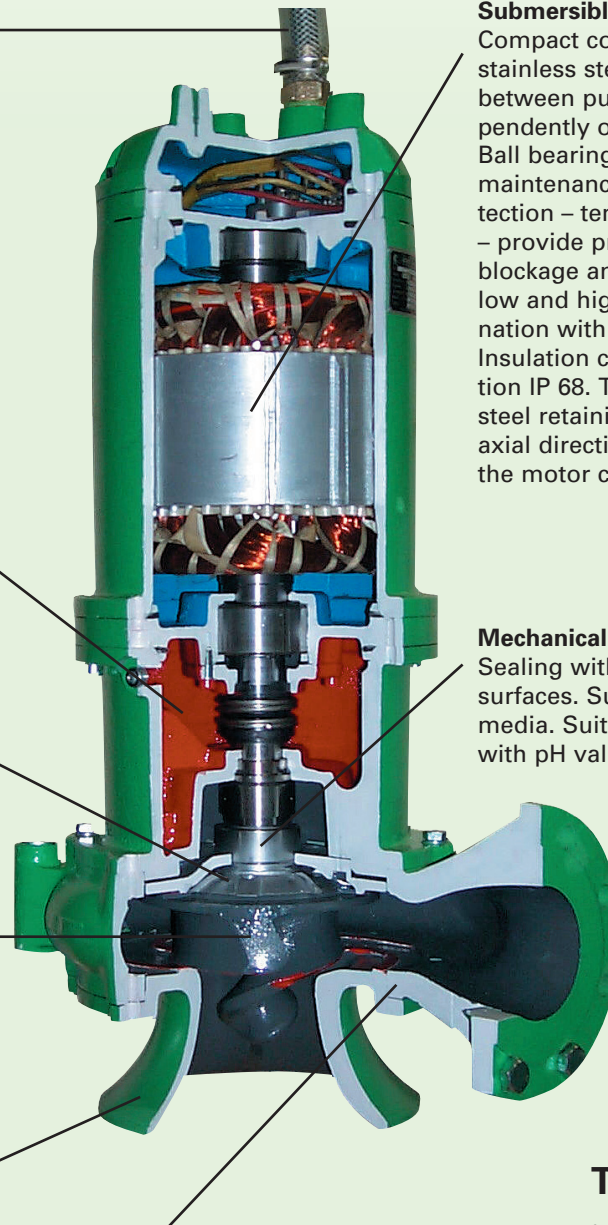
Wear and corrosion resistant due to special surface treatment. Absorb shocks when large foreign objects are chopped up.

### Impeller

Special cast with hardened cutting edges for maximum wear resistance. Screw-type impeller centre ensures excellent pumping capacity and provides ideal conditions for pumping thick sludge.

### Intake bell

Durable high-grade casting with cutting edges and special coating for maximum wear resistance. Optimum cutting effect of cutting edges and impeller. Enormous pumping capacity due to large intake diameter.



### Submersible three-phase motor

Compact construction. Short and stable stainless steel motor shaft. Shaft sealing between pump and motor by two independently operating mechanical seals. Ball bearings permanently lubricated and maintenance-free. Thermal winding protection – temperature-controlled resistors – provide protection in case of overload, blockage and phase failure as well as low and high voltage conditions (in combination with original BAUER control). Insulation class F (300 °F), type of protection IP 68. Terminal box with 3 stainless steel retaining rings M12 – cable entry in axial direction and strain relief device in the motor compartment.

### Mechanical seal

Sealing with silicon-carbide sliding surfaces. Suited also for abrasive media. Suitable for pumping media with pH value from 4 to 12.

### Radial housing

Large-size pumping channel ensures free passage of thick slurry without clogging.

## Typical applications

- Mixing (from 10 HP)
- Rinsing with mixing line
- Tanker filling
- Transfer between pits or into a silo



# BAUER

FOR A GREEN WORLD



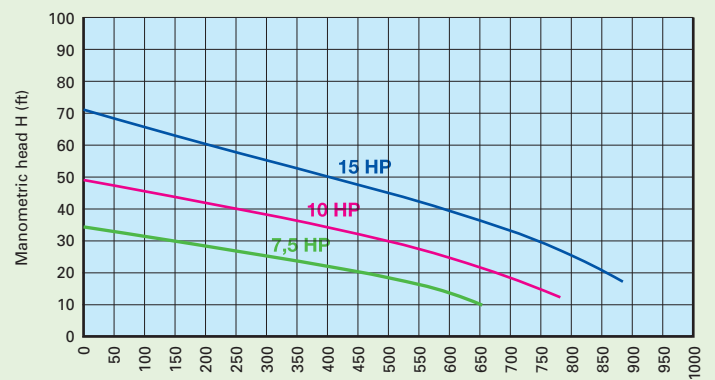
Pump trolley for 10 ft immersion depth



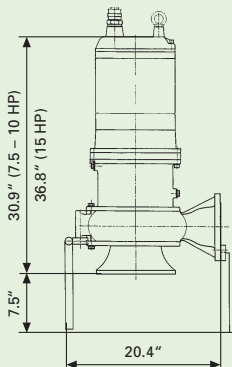
Lifting pole with rope winch for open pits



3-way cock with fixed stirring nozzle for 7.5 to 15 HP pump, including rods and delivery connection HK 133 (5 1/4")



\* All values apply to water Capacity Q (USgpm)



MAGNUM	S 5.5	S 7.5	S 11
Driving power in HP	7.5	10	15
Driving speed in rpm 60 Hz	1740	1740	1680
Capacity USgpm	50 - 650	50 - 750	50 - 880
Head ft	33 - 10	48 - 14	67 - 18

Your dealer:

**BAUER North America Inc.**  
**Michigan City, IN 46360**  
**Phone 1-800-922-8375, Fax 1-800-598-1097**  
 r.hultgren@bauer-at.com  
[www.bauer-at.com](http://www.bauer-at.com)